



Smart Marking Solutions

Extremely User Friendly Machine

- Low cost permanent identification
- Integrated controller, keyboard, software, and graphical display
- Menu driven programming
- High Quality of mark
- Requires compressed air
- Fast working system
- No computer skills required
- Protected industrial membrane keyboard
- Based on the proven markmate pneumatic platform
- Serial numbers, date codes, logos possible
- Suitable for most marking applications, from plastics to hard steel

MP 1100



- Highly Flexible
- Easy to use out of the box
- Quiet, Fast, Efficient Marking
- Low Cost, Permanent Identification
- Integrated Controller

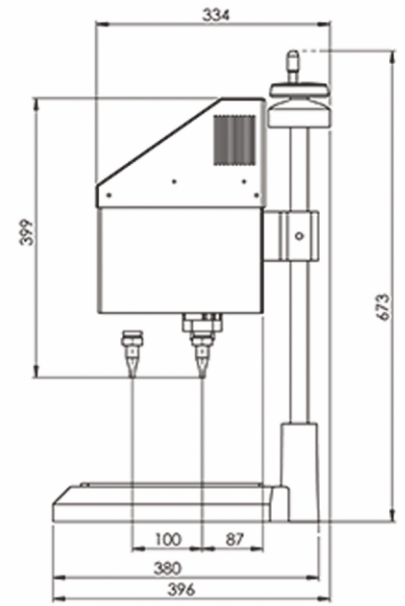
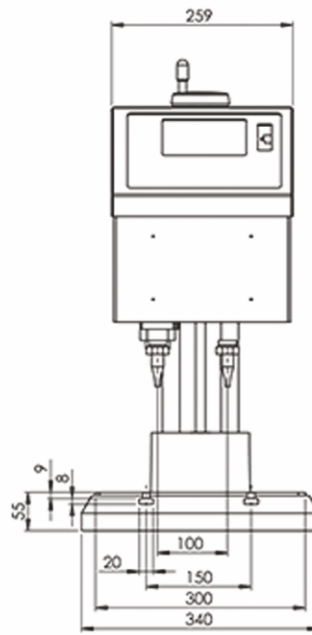
Highly configurable

Easy to Use

No Computer Skills Required

Two Level Password protection

Can Mark on Irregular Surfaces



Technical Specifications

Marking window	100 x 100
User friendly firmware	✓
Graphical screen	✓
Print preview	✓
Logo marking	✓
Programmable Character height and width	✓
Radial, Angular, Straight marking	✓
Fonts 5x7, 7x9, varidot (continues)	✓
Serial numbers	✓
Date codes (year, month, week, day, shift, hrs etc)	✓
RS232 Communication	✓
Flash EPROM	✓
Column Height Adjustment 270mm	✓
Membrane keyboard	✓

www.amtcpl.com



info@amtcpl.com

Smart Marking Solutions

Toll Free : 18002667610

Asian Machine Tool Corporation Pvt Ltd

Head Office:

Gat No. 1239B, Office No.3, 1st Floor, 'F' Wing,
Mulshi Vaibhav, Opp. Pirangut Police Station, Pirangut, Mulshi, Pune - 412 108
Ph No. : +91 9011 085 733, 9011 074 122

Sales Office :

Office No. 12, B wing, 3rd floor, Krishnai Apartment,
Near Pune Eye Hospital, Parihar Chowk, Aundh, Pune - 411 007
Ph No. +91 86860 16161

Chennai Office :

1st Floor, No.7, Dr. Ambedkar Nagar, 2nd Street, Karunanidhi Road,
Kumar Colony Main Road, Vadapalm, Chennai - 600 026
Ph No.: 044 - 2362 0035

